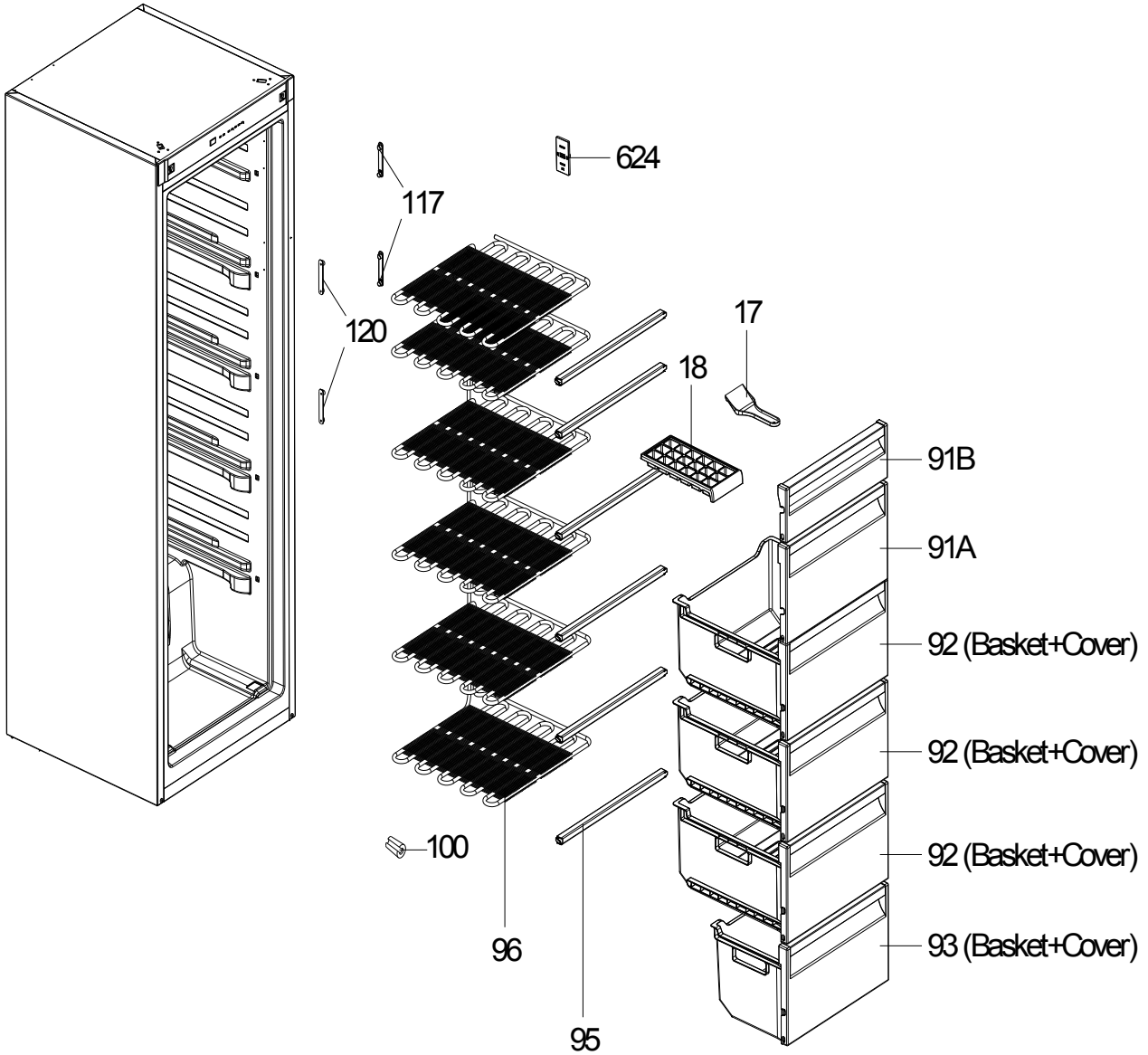


VESTEL WHITE GOODS	FREEZER - 2451	CUSTOMER SUPPORT
	INTERIOR PARTS LIST	

POSITION NUMBER	PART NAME
2	TOP HINGE MEC /2451
6	HEAD PANEL/2451
15	BOTTOM HINGE 2451/RIGHT
16	ADJUSTABLE FOOT M8X35
29	THERM. KNOB/2451S
30	LIGHT CARRIER 2451
77	HEAD PANEL CAP/2451S
89A	HINGE COVER 2451
89B	HINGE COVER CAP 2451
102	HEAD PANEL GR/2451S
242	MAIN B./BDA52/2451
455	SCREW KA 30*6 YSB-F
456	DISPLAY/BDD53/2451
588	SCREW ST 4.2*14 SPECIAL 17-C

MARCH 2016

BEFORE JULY.2018

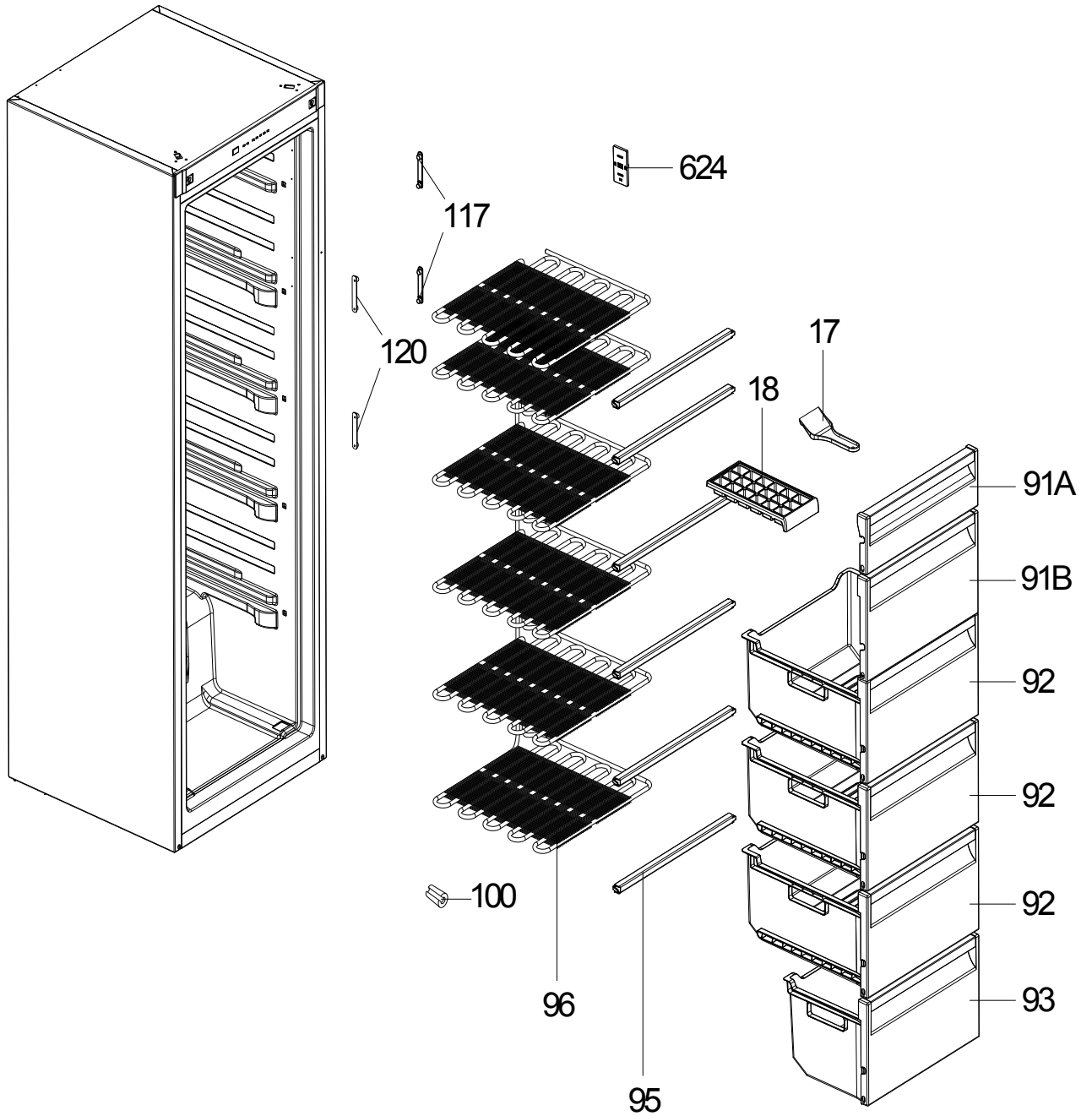


MARCH 2016

VESTEL WHITE GOODS	FREEZER - 2451	CUSTOMER SUPPORT
	ACCESSORY PARTS LIST-1	

POSITION NUMBER	PART NAME
17	ICE SCRAPER
18	ICE TRAY
91A	F COVER BIG/2451
91B	F COVER SMALL/2451
92	MIDDLE BASKET GR/2451
93	BOTTOM BASKET GR/2451
95	F EVAP TRIM/2451
96	F EVAPORATOR ASSY/2451
100	ANTIVIBRATION
117	FREEZER COVER STOPPER/RIGHT
120	FREEZER COVER STOPPER/LEFT
624	SENSOR COVER

AFTER JULY.2018



MARCH 2016

VESTEL WHITE GOODS	FREEZER - 2451	CUSTOMER SUPPORT
	ACCESSORY PARTS LIST-2	

POSITION NUMBER	PART NAME
17	ICE SCRAPER
18	ICE TRAY
91A	F COVER/2451
91B	F COVER/143
92	MIDDLE BASKET GR/2451
93	BOTTOM BASKET GR/2451
95	F EVAP TRIM/2451
96	F EVAPORATOR ASSY/2451
100	ANTIVIBRATION
117	FREEZER COVER STOPPER/RIGHT
120	FREEZER COVER STOPPER/LEFT
624	SENSOR COVER

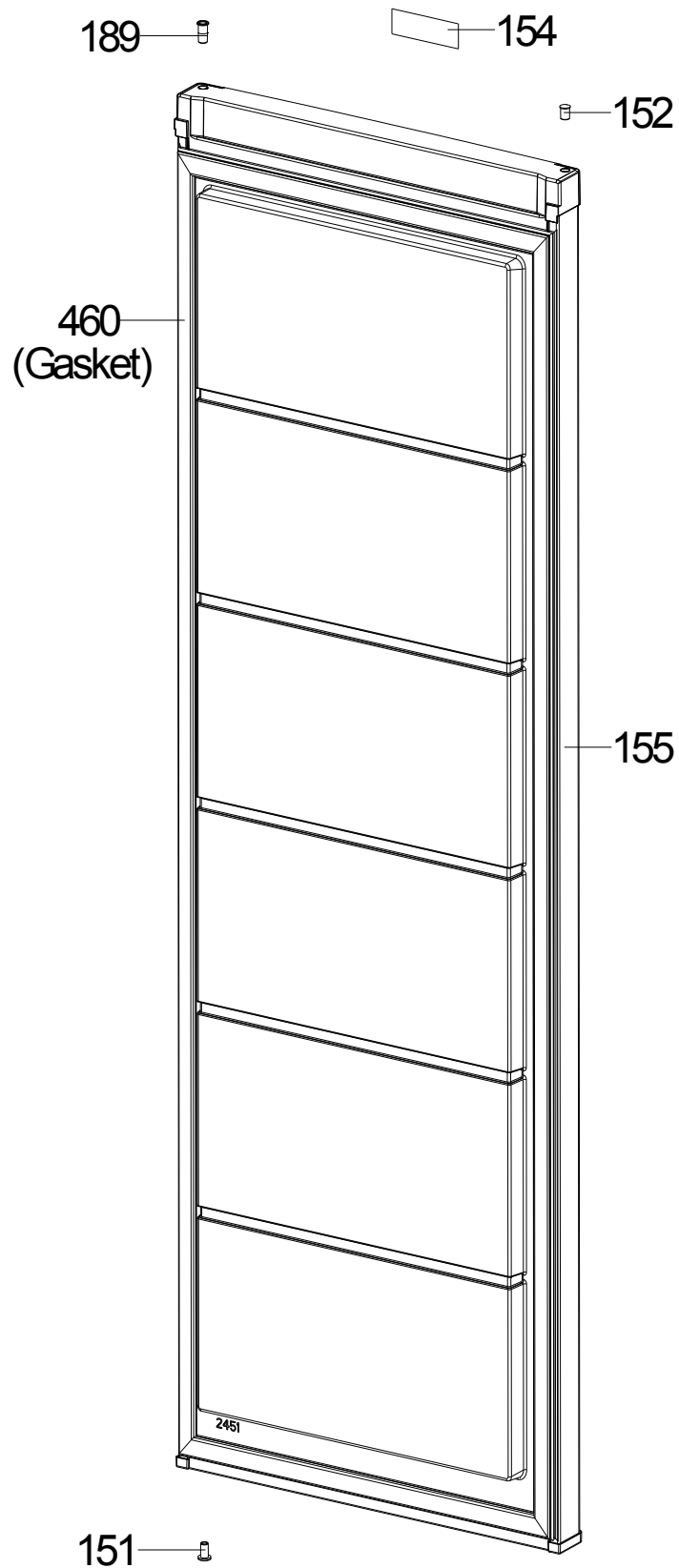
MARCH 2016

VESTEL
WHITE GOODS

FREEZER - 2451

DOOR ASSY. PARTS

**CUSTOMER
SUPPORT**

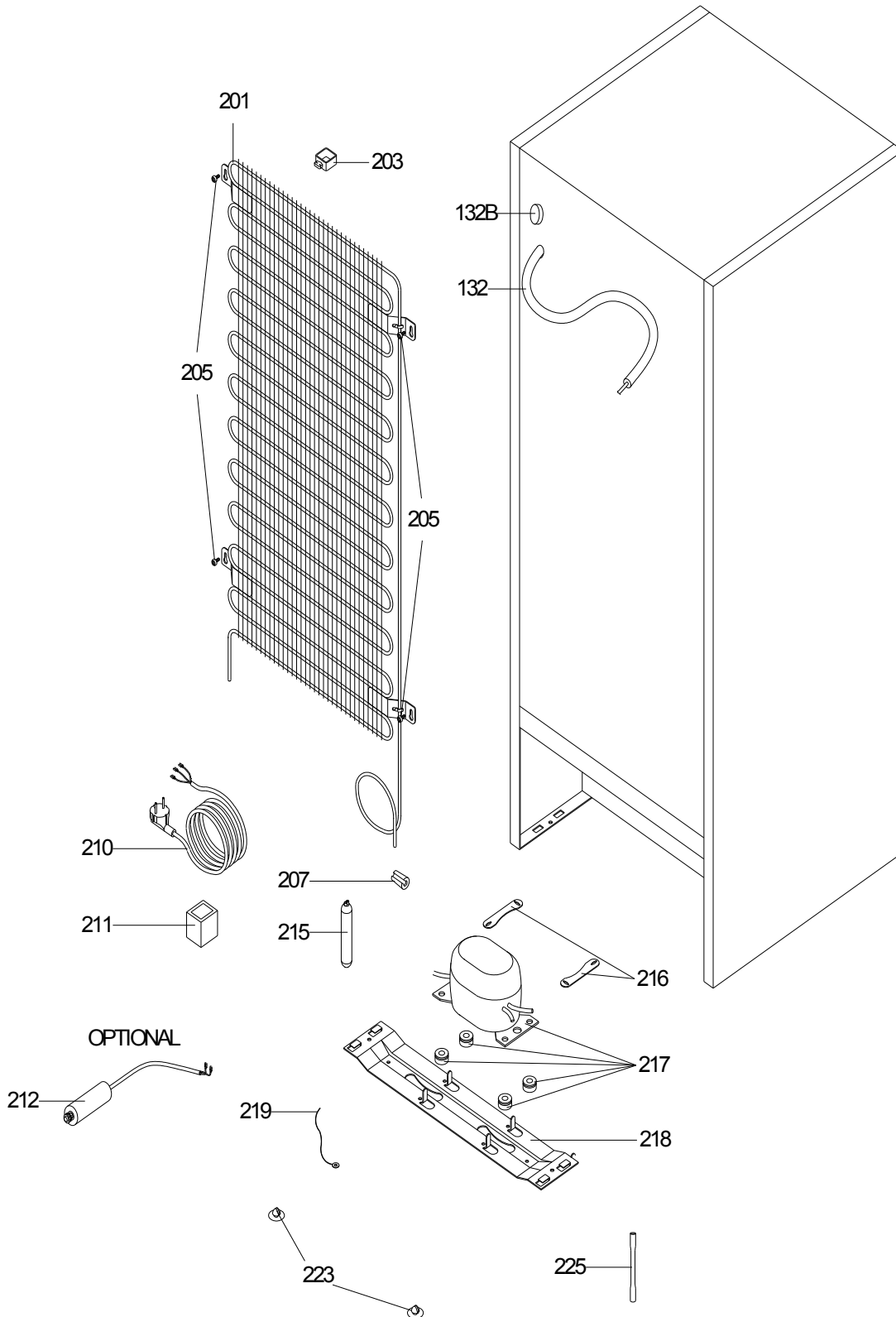


MARCH 2016

VESTEL WHITE GOODS	FREEZER - 2451	CUSTOMER SUPPORT
	DOOR ASSY. PARTS LIST	

POSITION NUMBER	PART NAME
151	BUSHING/345P
152	BUSHING CAP
154	LOGO
155	DOOR ASSY/2451S
189	BUSHING/540CE
460	GASKET/2451

MARCH 2016



VESTEL WHITE GOODS	FREEZER - 2451	CUSTOMER SUPPORT
	UNIT PARTS LIST	

POSITION NUMBER	PART NAME
132	COVER TUBE
132B	BACK COVER
201	MAIN CONDENSER
203	SPACER
205	SCREW ST 4.8*13 YSB-T-C
207	ANTIVIBRATION (CONDANSER)
210	POWER CORD
211	OVER LOAD RELAY
212	CAPACITOR
215	DRYER
216	COMP FIXING BRACKET
217	COMPRESSOR
218	COMP BASEMENT/140
219	EARTH WIRE/PGYB-WASHER
223	COMP.BASEMENT FOOT
225	SERVICE TUBE

MARCH 2016